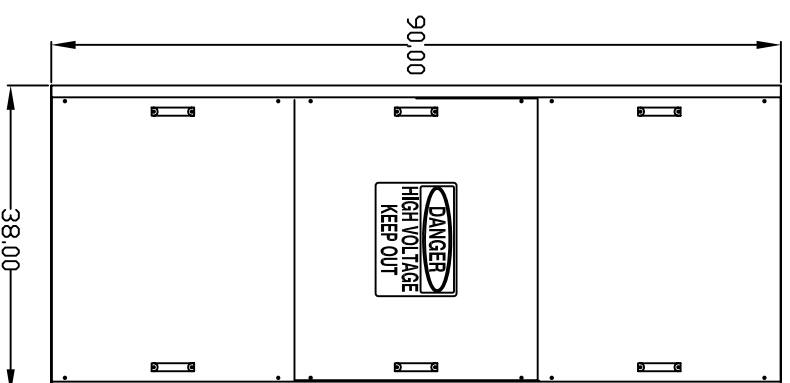
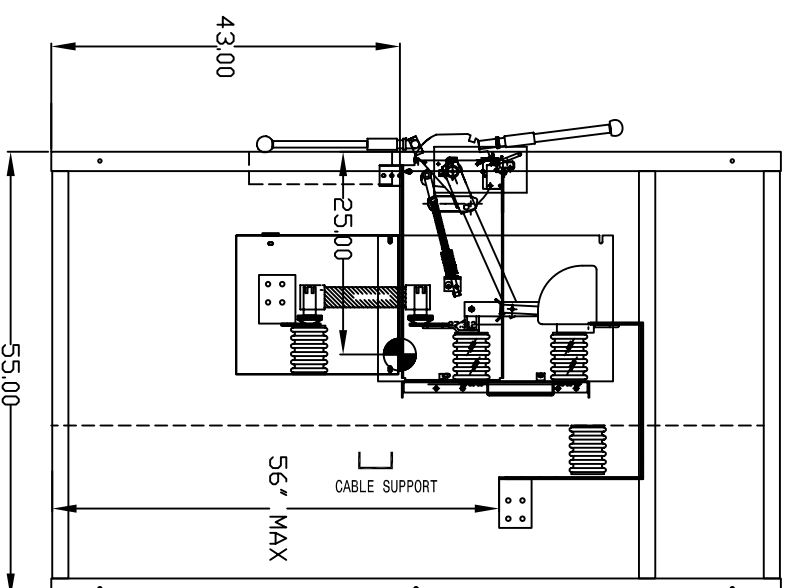


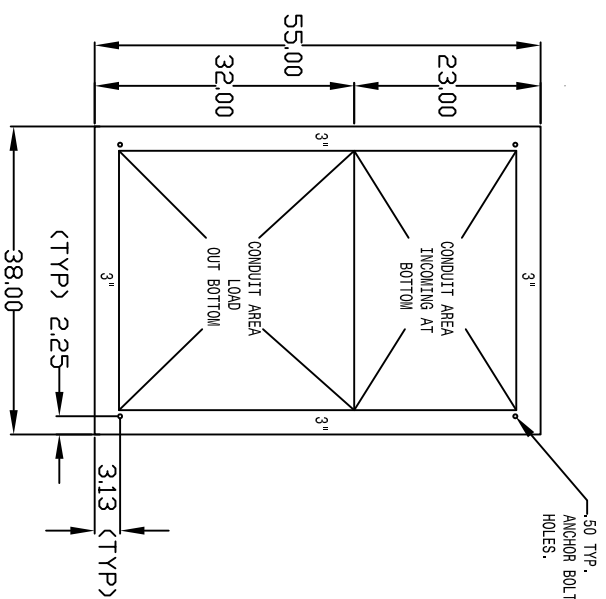
FRONT VIEW



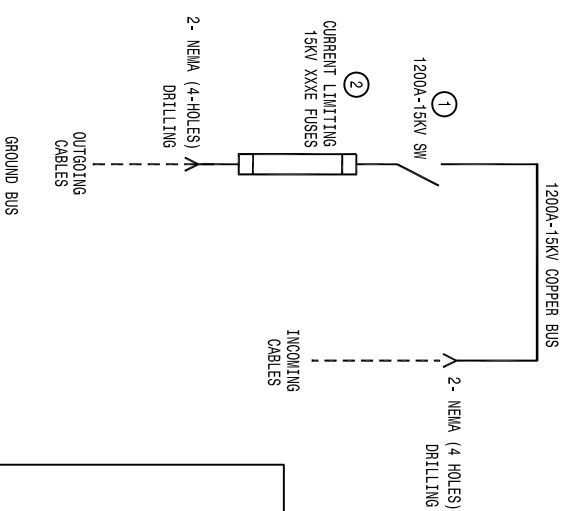
REAR VIEW



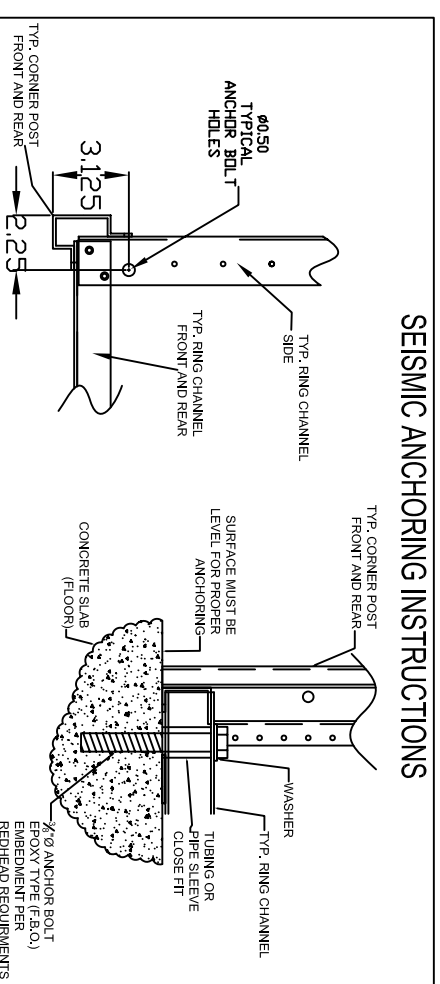
SIDE VIEW



FLOOR PLAN



ONE LINE DIAGRAM



SEISMIC ANCHORING INSTRUCTIONS

BILL OF MATERIAL

ITEM	QTY	MFG	CATALOG NO.	DESCRIPTION
1	1	SQ-D	HVLO31512UL-P	1200AMP 3-P, 95KV BIL 15KV INTERRUPTER SW, 61KA FAULT CLOSE AND 61KA MOMENTARY
1a				
2	3	C-H	15HLE-XXX	CURRENT LIMITING POWER FUSES XXXE
3	1	VULCAN	OS1217-500B	500W, 240V STRIP HEATER (OPERATED @ 120V)
4	1	GOULD	USCC1	30A, 600V, 1POLE FUSE HOLDER W/6A CC TYPE FUSES
4a	1	GOULD	ATWR6	6A, CLASS CC FUSE
5				
6				
7				
8				
9				
10				
11				
12				

GENERAL SPECIFICATIONS:  
ENCLOSURE: INDOOR   X   OUTDOOR            U/L LABELED             
BUSSING: ALUMINUM            COPPER (2) 1/4 X 2 1/2" MAIN BUS  
FINISH: ANSI-61 LIGHT GRAY   X   OTHER             
750/SQ. IN.            1000A/SQ. IN.            U/L RATED   X    
MINIMUM CLEARANCES FOR BARE VOLTAGE CONDUCTORS SHALL BE 6 5/8 INCHES  
PHASE TO PHASE AND 6 INCHES PHASE TO GROUND AT RATED VOLTAGE  
INTERRUPTING RATING:  
THE SHORT CIRCUIT RATING IS 50 K RMS SYM. AMPS AT 15 K VOLTS  
BASED ON THE LOWEST SHORT CIRCUIT CURRENT RATING OF DEVICES  
INSTALLED AT TIME OF MANUFACTURE. THE BUSSING STRUCTURE IS  
CONSTRUCTED TO WITHSTAND FAULTS OF 50 K RMS SYM AMPS.  
INCOMING SERVICE:  
AMPERES 1200A  
VOLTS 15 KV  
SYSTEM: 3 PHASE 3 WIRE