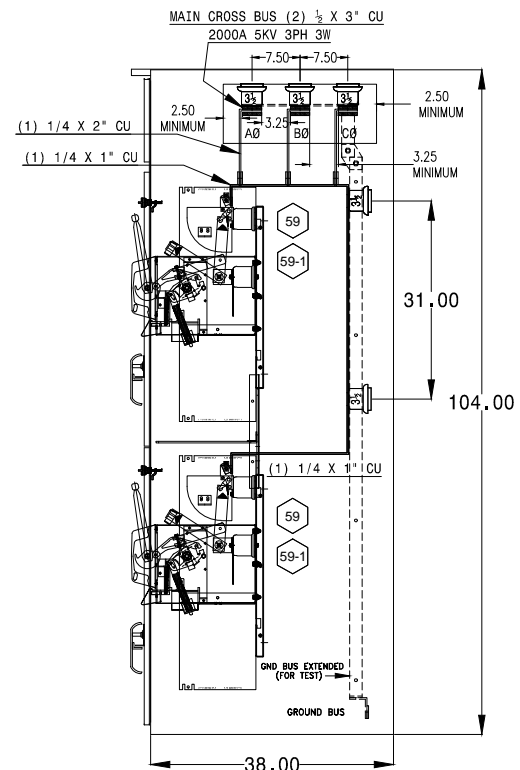
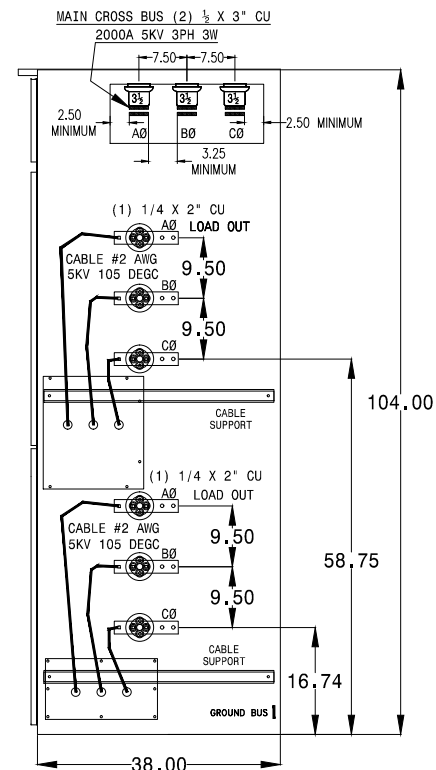


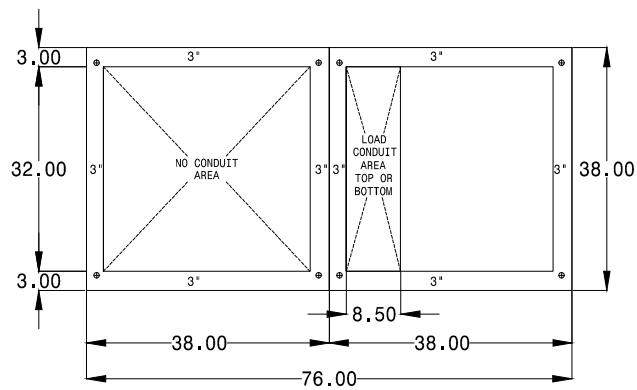
FRONT VIEW



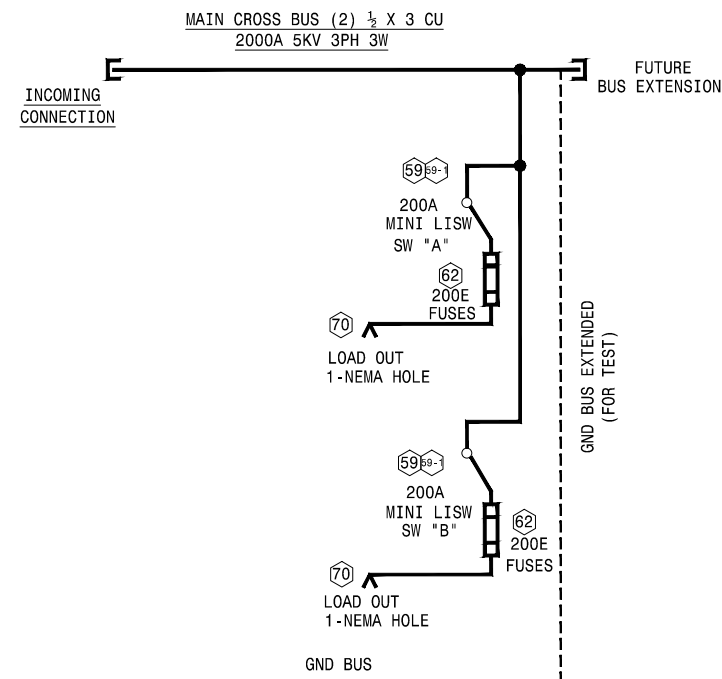
SIDE VIEW
(A-A VIEW)



SIDE VIEW
(B-B VIEW)



FLOOR PLAN



ONE LINE DIAGRAM

GENERAL SPECIFICATIONS:

- ENCLOSURE - INDOOR/OUTDOOR CONSTRUCTION
CODE GAUGE STEEL PER APPLICABLE
U/L, NEMA AND ANSI STANDARDS.
 FRONT AND REAR ACCESSIBLE
- FINISH - ANSI-61 LIGHT GRAY
- FUSE RATING - 10E-200E CURRENT LIMITING
- INTEGRATED SWITCH/FUSE RATING - 63K SYM AMPERES
U/L LISTED ASSEMBLY
- SWITCH - 5.5KV MAXIMUM VOLTAGE
- 200AMPS CONTINUOUS
- 12.5K AMPS SHORT TIME(1.0 SEC)
- 20K AMPS MOMENTARY
- 20K AMPS FAULT CLOSING
- 19K VOLTS LOW FREQUENCY WITHSTAND
- 60K VOLTS IMPULSE WITHSTAND

- BUSSING ----- ALUMINUM COPPER PLATING SILVER
 TEMPERATURE RATED
 750A/SQ.IN. 1000A/SQ.IN.

MINIMUM CLEARANCES FOR BARE VOLTAGE CONDUCTORS
SHALL BE 3.25 INCHES PHASE-TO-PHASE AND 2.5 INCHES
PHASE-TO-GROUND AT RATED VOLTAGE.

INTERRUPTING RATING ---

THE SHORT CIRCUIT WITHSTAND RATING IS FUSE RMS SYM AMPS
AT 5K VOLTS BASED ON THE RATING OF LOWEST SHORT CIRCUIT
RATED DEVICE INSTALLED AT TIME OF MANUFACTURE. THE BUSSING
STRUCTURE IS CONSTRUCTED TO WITHSTAND FAULTS OF 50K
RMS SYM AMPERES.

INCOMING SERVICE --- AMPERES 2000A
VOLTS 5 KV
SYSTEM PHASE 3_WIRE 3

BILL OF MATERIAL

ITEM	QTY	MFG.	CATALOG NO.	DESCRIPTION
59	2	SQ-D	HVM030502UL	200A, 5KV, 20/20KA LOAN INTERRUPTER SWITCH WITH PHASE BARRIER
59-1	2	SQ-D	HVM0FK5-2	LIVE PART HARDWARE KIT
62	6	MERSEN	A055F1DORO-200E	200E, 5KV, CURRENT LIMITING FUSES
70	24	MARBAL	MAR6350S10	3-1/2 5 KV GLASTIC INSULATOR

REVA 03/26/14 MC ADDED LATCH, ADJ LABEL & BUS SIZE, DELETE HANDLE



7400 BANDINI BLVD.
COMMERCE, CA. 90040
(800) 777-6622

DWN BY: MC/EV
DATE: 03/26/14

WORK ORDER:
34667

SOLD TO: ROMAC
JOB NAME: TESTING AND ADDED TO OUR ROMAC FILE #E125722

TITLE: 2000A 5KV (MAX) 3PH 3W 2-HIGH MINI LISW
INDOOR NEMA1 & OUTDOOR NEMA 3R CONSTRUCTION

DRAWING NUMBER:
34667-2

REV
A